

Single Emitter Diode Laser (CW)

NV02



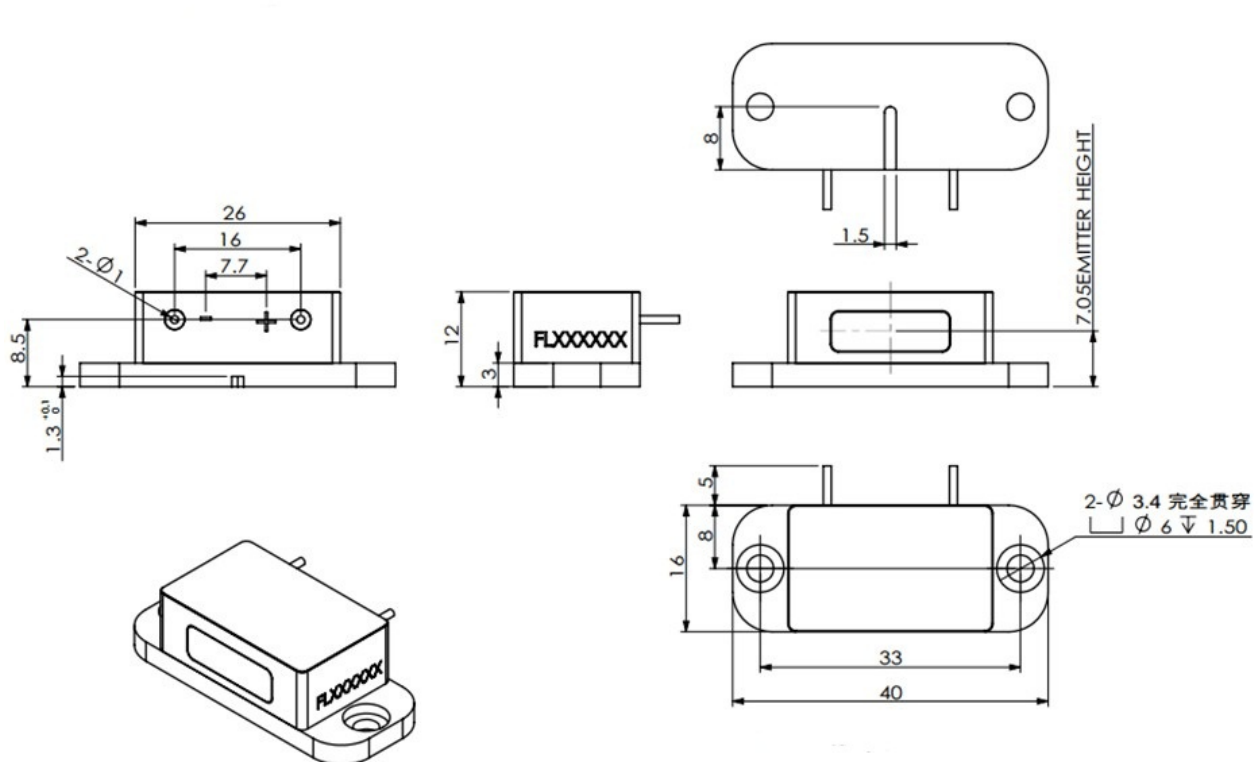
Features

- AuSn bonding
- Copper-clad plate design
- Harsh environment use

Applications

- Pumping
- Medical
- Industry
- Display
- Scientific research

Product Dimensions (mm)



Remark: The structure drawing is for reference only. Please feel free to contact us for any special requirements.

Product Specifications

Product Code	OPD000073	OPD000076
Part No. ¹	FL-NV02-10-808-Y	FL-NV02-12-915-Y

Optical Data ²	Unit	Value	
Centroid Wavelength	nm	808	915
Wavelength Tolerance	nm	± 10	± 10
Emitter Width	µm	200	100
Output Power ³	W	10	12
Spectral Width FWHM	nm	≤ 3	/
Spectral Width 90% Energy	nm	≤ 5	/
Fast Axis Divergence (FWHM)	°	~ 8	~ 8
Slow Axis Divergence (FWHM)	°	8	8
Polarization Mode	-	TE	TE
Wavelength Temp. Coefficient	nm / °C	~ 0.28	~ 0.32

Electrical Data ²		Value	
Operation Current	A	≤ 11.8	≤ 13
Threshold Current	A	≤ 2.1	≤ 0.5
Operating Voltage	V	≤ 2.2	≤ 1.9
Slope Efficiency	W / A	≥ 0.95	≥ 1
Power Conversion Efficiency	%	≥ 39	≥ 52

Thermal Data		Value	
Operating Temperature	°C	15 ~ 30	15 ~ 30
Storage Temperature ⁴	°C	-40 ~ 55	-40 ~ 55
Recommended Heatsink Capacity	W	≥ 20	≥ 24

¹Part No. = Brand Code - Series - Power - Centroid Wavelength (- Collimation).

²Data at 25°C temperature, unless otherwise stated.

³Lifetime reduced if overused under nominal operating condition.

⁴A non-condensing environment is required for storage and operation below ambient dew point.

